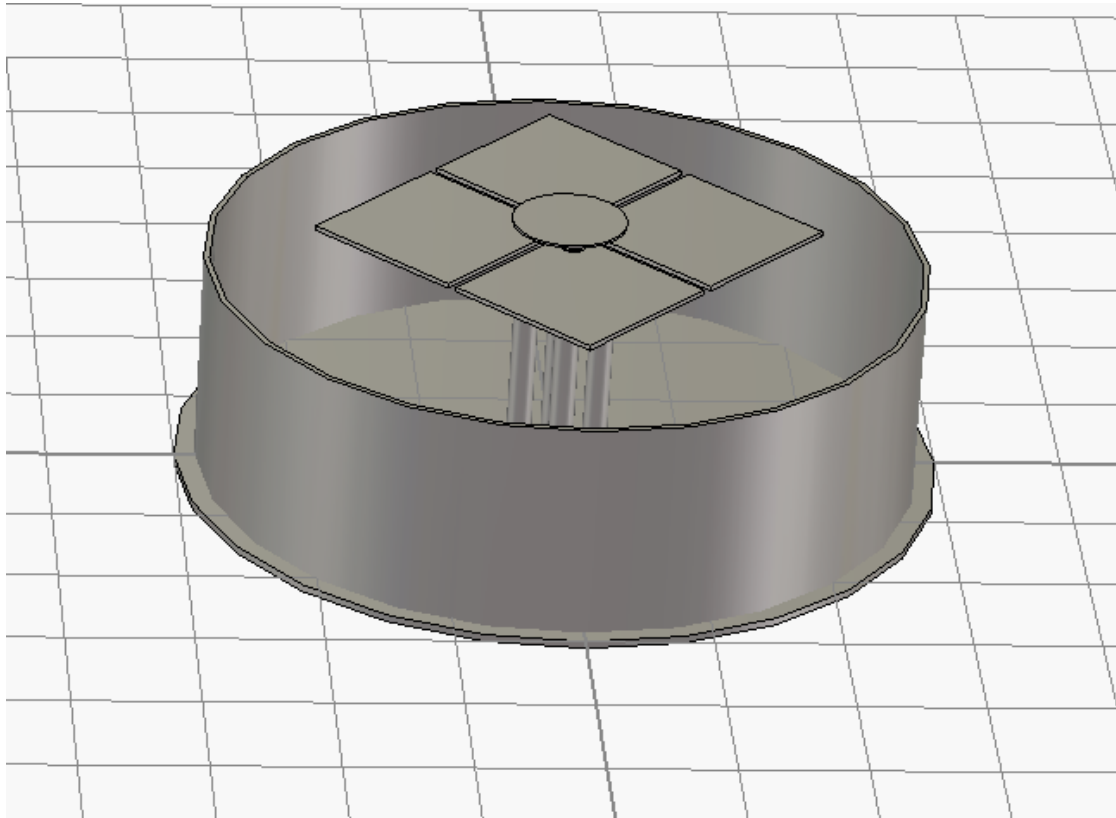
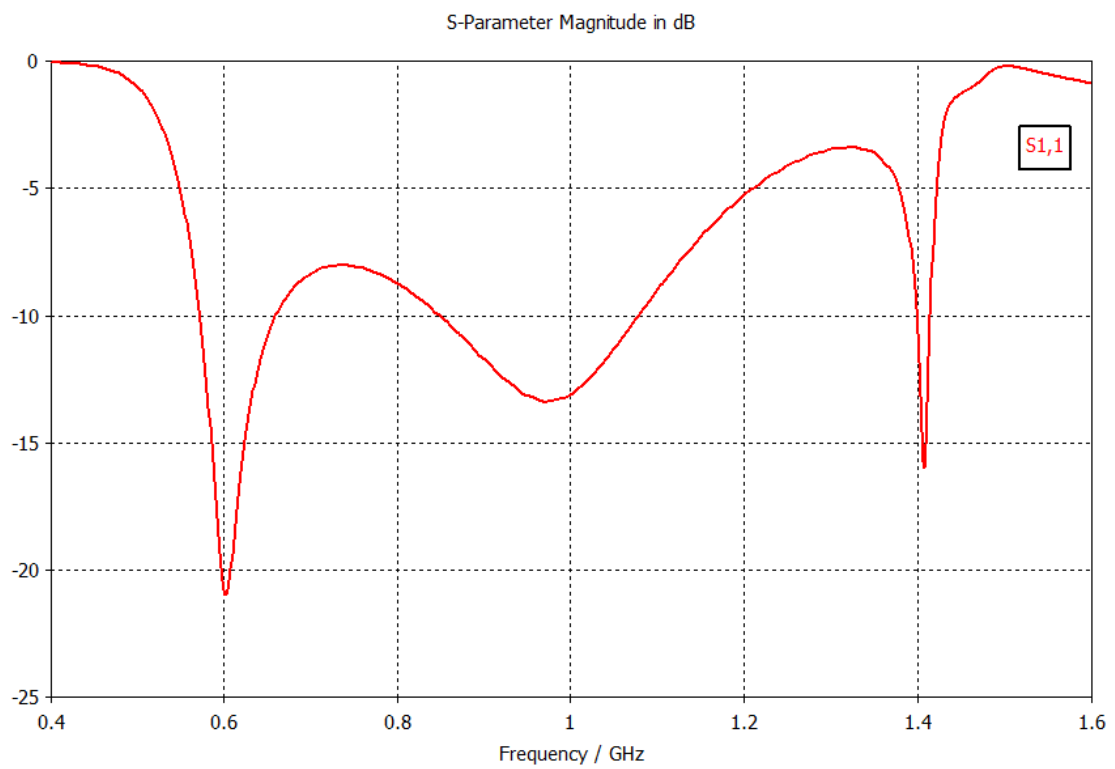


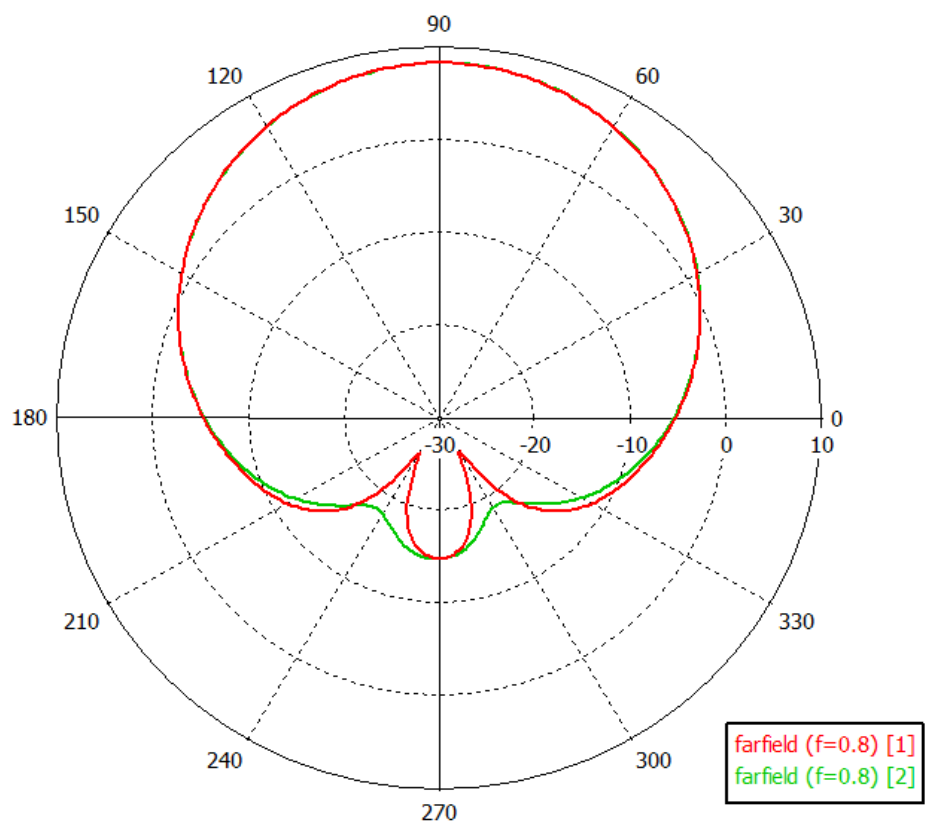
The feed with the unfolded dipole:



S11:



EH_Plane(f=0.8GHz):



Compare folded dipole with unfolded dipole:

